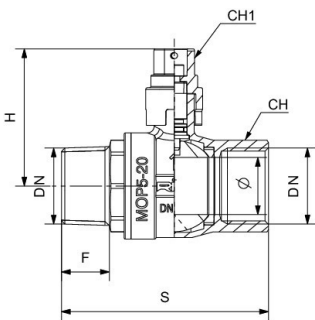




RIV 4358

Ball valve M/F
 full bore
 Extra-Lock brass sealing tamperproof cap

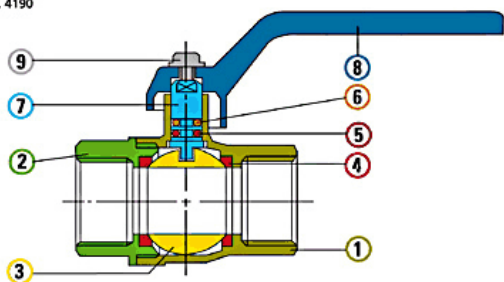
Tech drawings and tables



DN	Code	Ø	F	H	S	CH1	PN	KG	P/box
1/2"	024358000004	15	16	48	66	16	64	0,231	10
3/4"	024358000005	20	17,5	54	76	16	40	0,354	10
1"	024358000007	25	21	58	91	16	40	0,564	10
1"1/4	024358000008	32	22,5	71	101	16	40	0,921	6
1"1/2	024358000009	40	22,5	79	113	16	40	1,192	4
2"	024358000011	50	26,5	87	134	16	40	1,988	4

Technical data

Art. 4190



Materials

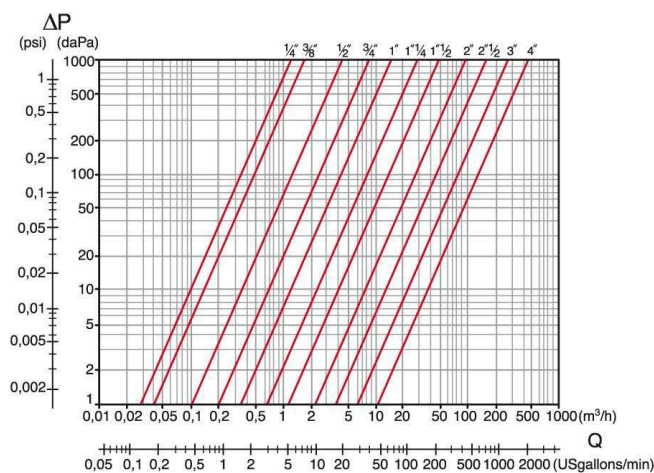
1	Body	Brass	CW617N	Nickel-plated
2	Body end	Brass	CW617N	Nickel-plated
3	Ball	Brass	CW617N	Chrome-plated
4	Seats	P.T.F.E.		
5	O-Ring	FKM		
6	O-Ring	NBR		
7	Stem	Brass	CW614N	
8	Lever	Aluminium		Green
9	Screw	Steel		Zinc-plated

Connections F/F: ISO 7/1Rp (parallel), ISO 7/1Rc (tapered), ANSI B1.20.1 (NPT) - M/F: male ISO 7/1R (tapered), female ISO 7/1Rp (parallel) - M/M: ISO 7/1R (tapered)

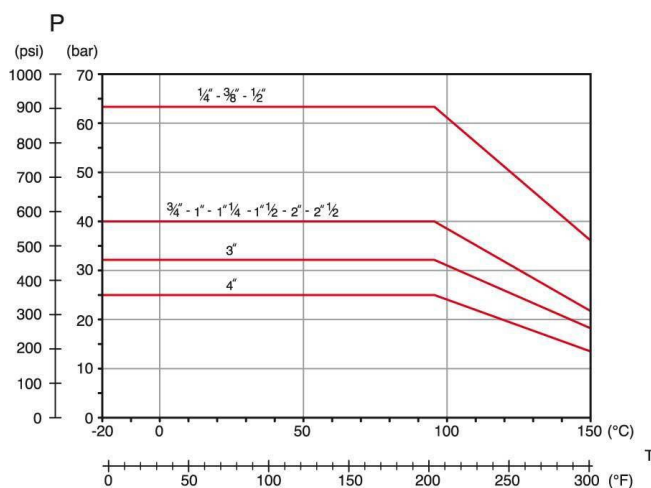
Limit -20°C (without liquid) +150°C

Notes The max.working pressure (PN) means at a room temperature of about 23°C.

Pressure Loss Chart



Temperature/Pressure



Kv & Cv Coefficients

Size	Kv	Cv
1/4"	4,1	4,7
3/8"	6,3	7,3
1/2"	15,5	17,9
3/4"	31,0	36,0
1"	52,0	60,0
1"1/4	100,0	116,0
1"1/2	180,0	206,0
2"	350,0	405,0
2"1/2	350,0	671,0
3"	1000,0	1157,0
4"	1550,0	1793,0